

Firesurrounds



Pictured
AFS4 Firesurround



AFS1 Geo

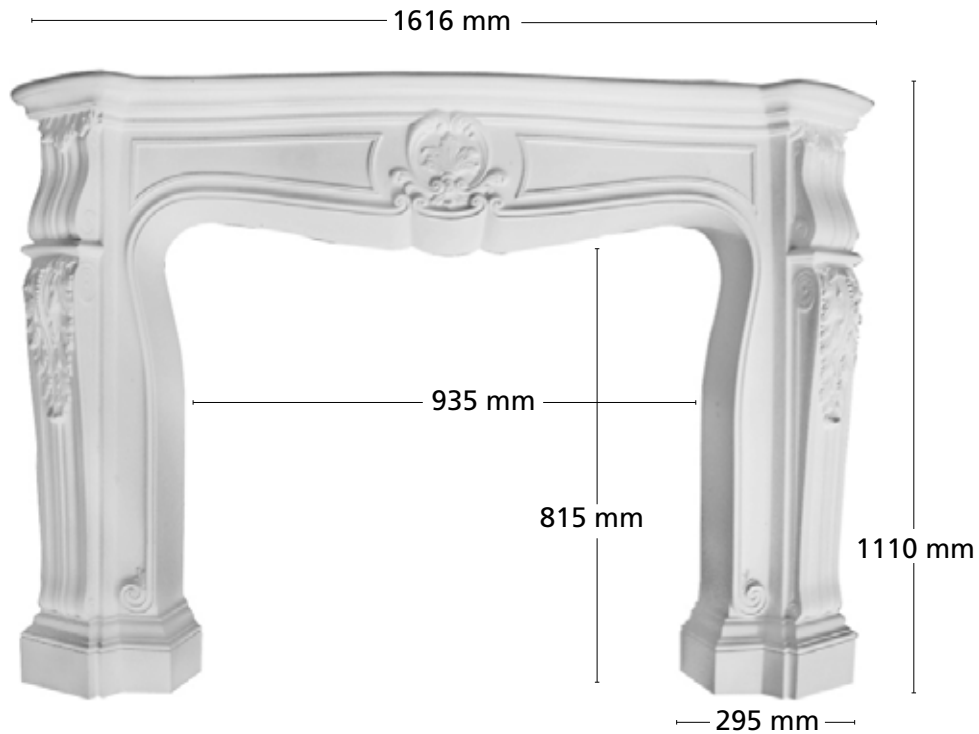
□ 1487 mm x 1132 mm

↓ 190 mm MANTLE DEPTH 145 mm FOOT DEPTH

**AFS2** Vic

□ 1616 mm x 1110 mm

↓ 230 mm MANTLE DEPTH 210 mm FOOT DEPTH

**Fire Resistance**

Plaster-glass is made from non-combustible gypsum and fibreglass. It will not burn, speed flame, evolve heat or smoke. Can also be painted in marble, granite or textured finish onsite by expert painters. Please ask for more information.

Visit us instore or order online at www.allplasta.com.au

AOM4 Fed

□ 1220 mm x 1215 mm

↓ 80 mm DEPTH Available with mirror. POA

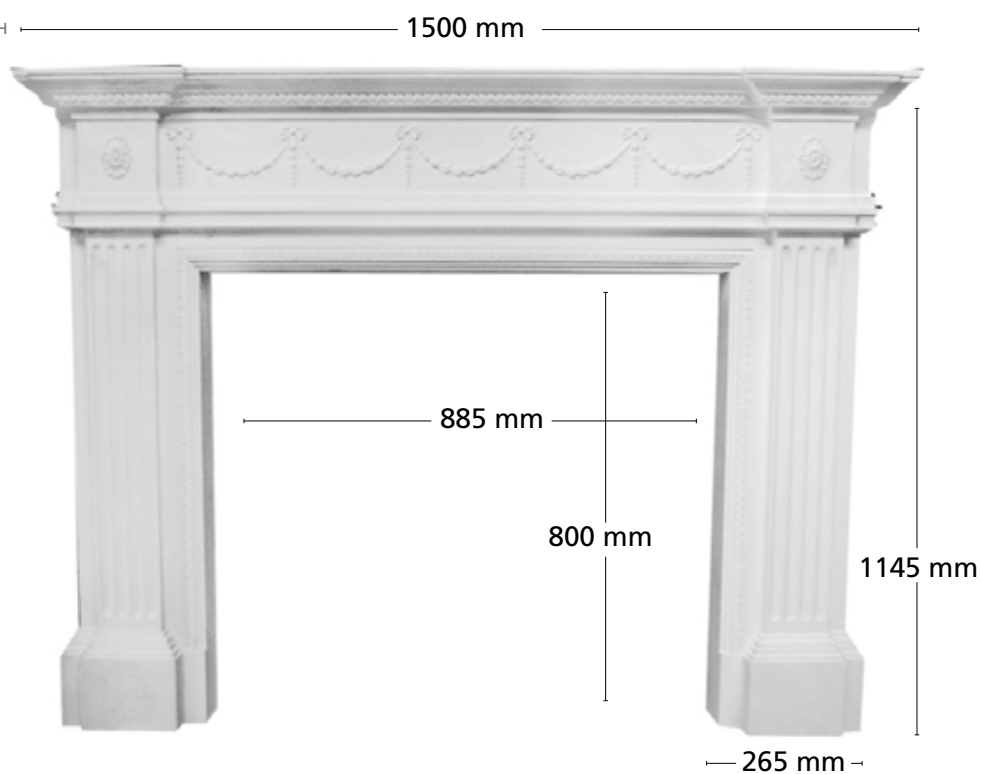


AFS4 Fed

□ 1500 mm x 1145 mm

↓ 200 mm MANTLE DEPTH

155 mm FOOT DEPTH

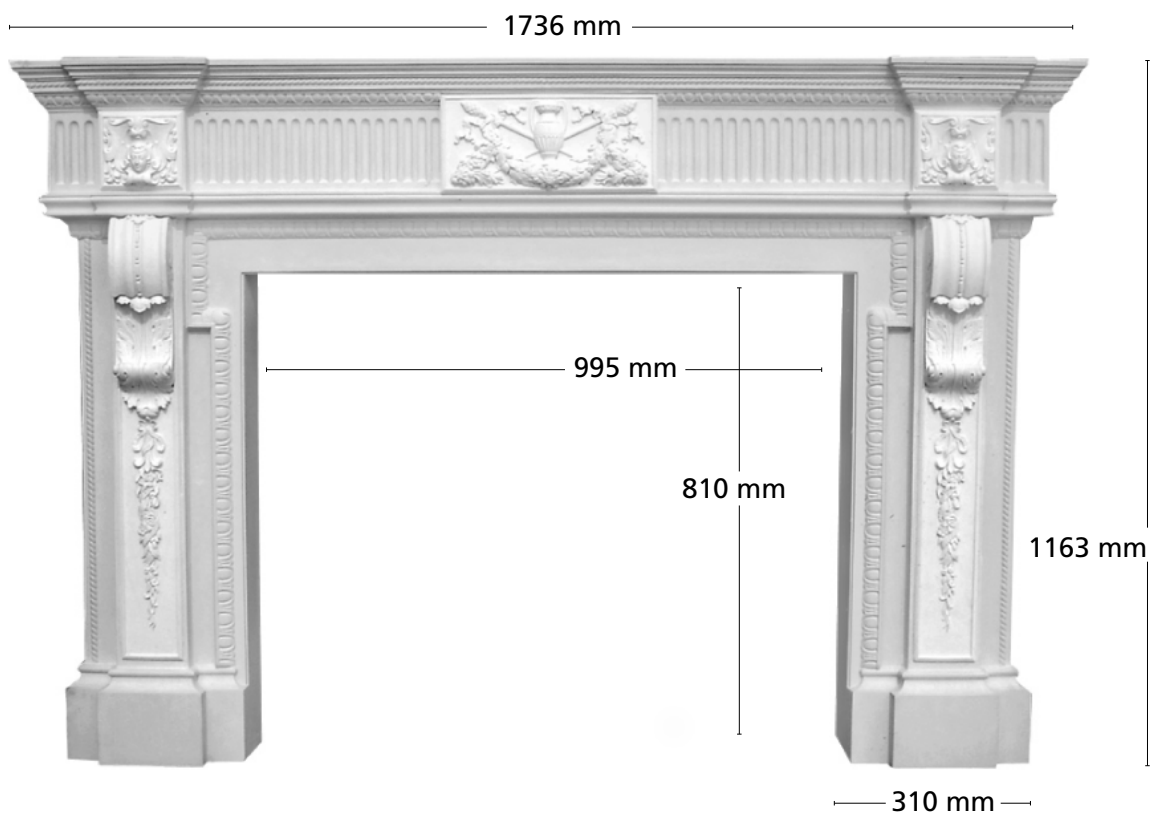


ALL DIMENSIONS ARE APPROXIMATE

AFS3 Geo

□ 1736 mm x 1163 mm

↓ 210 mm MANTLE DEPTH 165 mm FOOT DEPTH

**AFS5** Mod Col

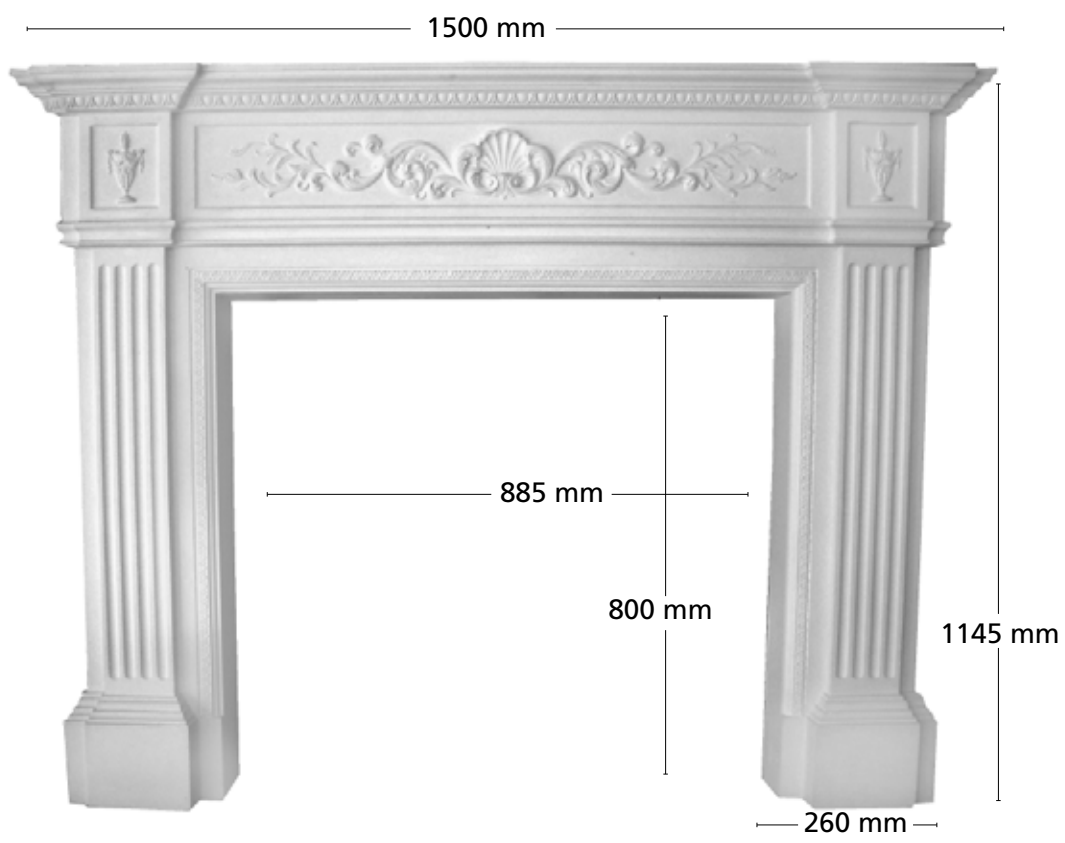
□ 1400 mm x 1140 mm

↓ 170 mm MANTLE DEPTH 130 mm FOOT DEPTH



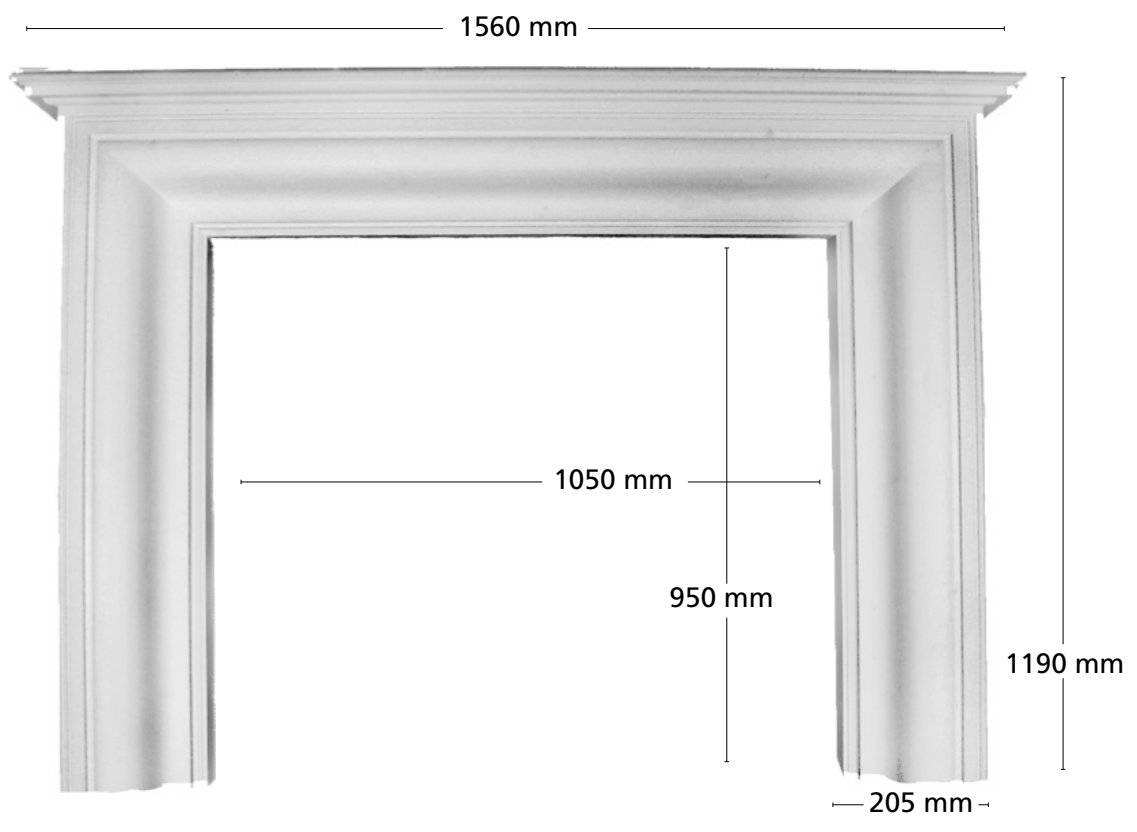
AFS6 Geo

□ 1500 mm x 1145 mm
↓ 195 mm MANTLE DEPTH 155 mm FOOT DEPTH



AFS7 Mod Col

□ 1560 mm x 1190 mm
↓ 170 mm MANTLE DEPTH 130 mm FOOT DEPTH

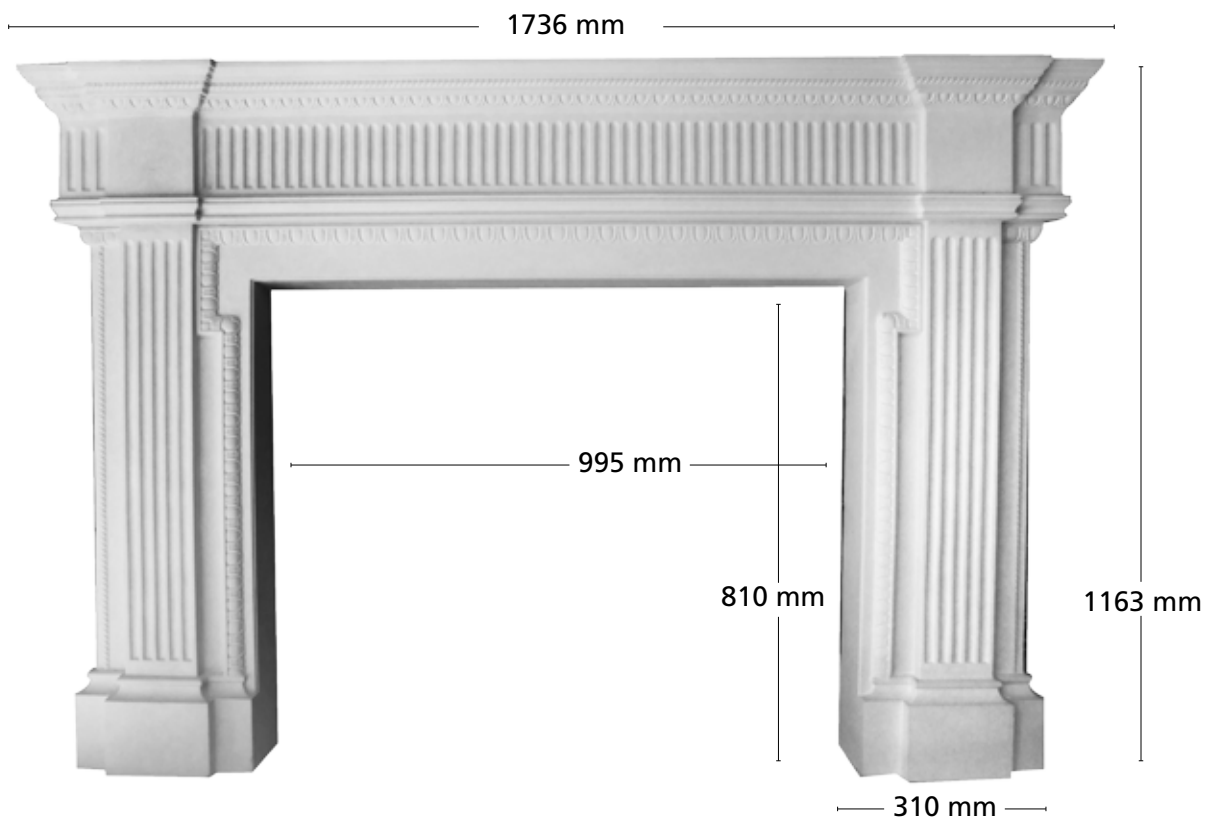


ALL DIMENSIONS ARE APPROXIMATE

AFS8 Geo

□ 1736 mm x 1163 mm

↓ 210 mm MANTLE DEPTH 165 mm FOOT DEPTH

**AFS9A** Col

1135 mm

AFS9B Col

Using AC23 corbel



1135 mm

↓ 230 mm WIDTH AT TOP 170 mm DEPTH AT TOP

↓ 220 mm WIDTH AT BASE 80 mm DEPTH AT BASE





Pictured
SR A149 used in coffered ceilings